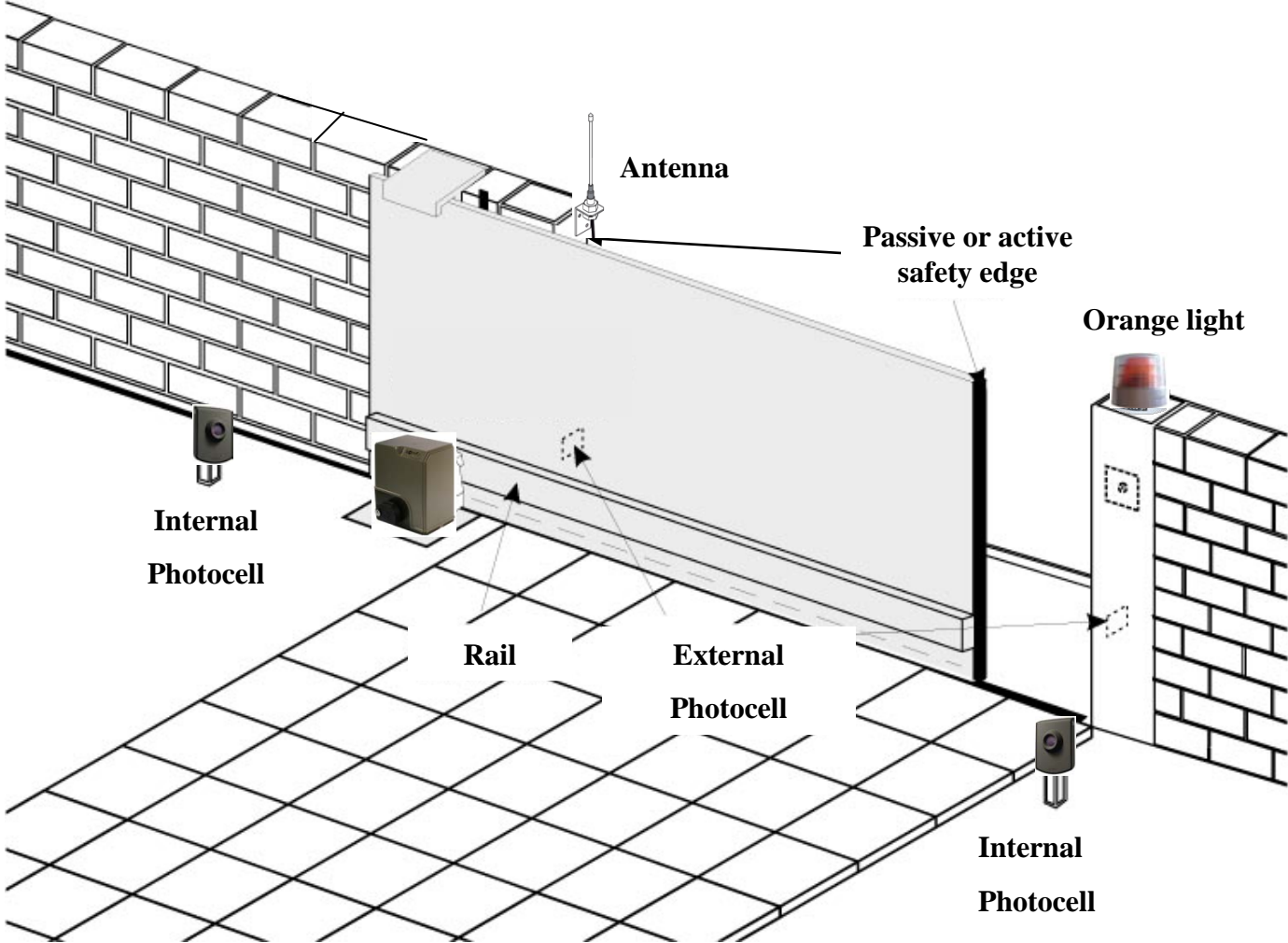


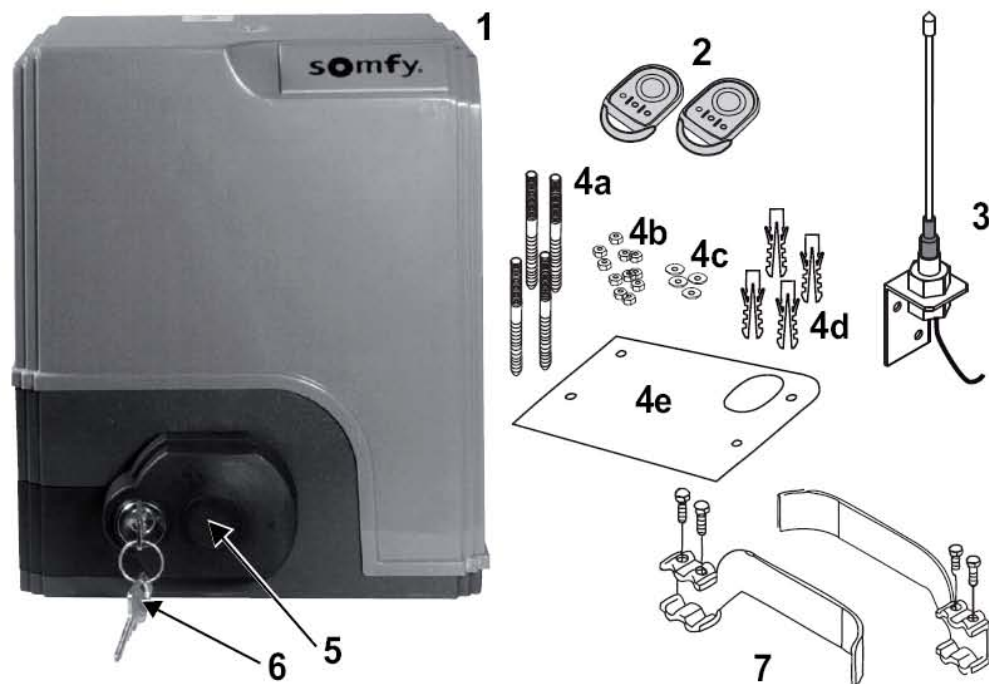
## Example of Installation



## PRODUCT DESCRIPTION

### Contents of the standard kit

1	Elixo 24 V Motor	x 1
2	Keygo	x 2
3	RTS 3 m offset aerial	x 1
Ground mounting kit:		
4a	Lag screws	x 4
4b	Nut	x 8
4c	Washer	x 4
4d	Plug	x 4
4e	Base plate	x 1
5	Manual release handle assembly	x 1
6	Handle locking key	x 2
7	End limit brackets	x 2



## For starting the installation

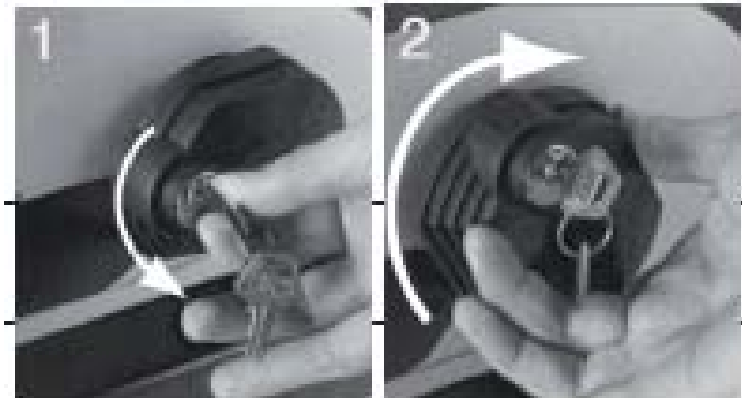


**For a easier installation, the motor must be unlocking**

**Installation the handle**

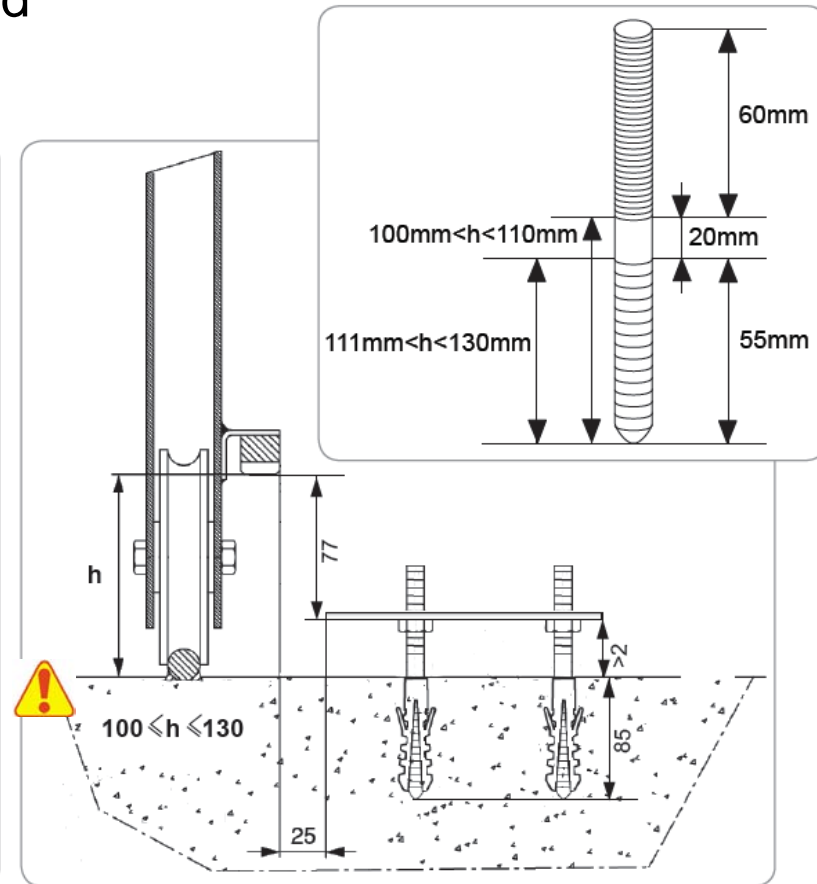
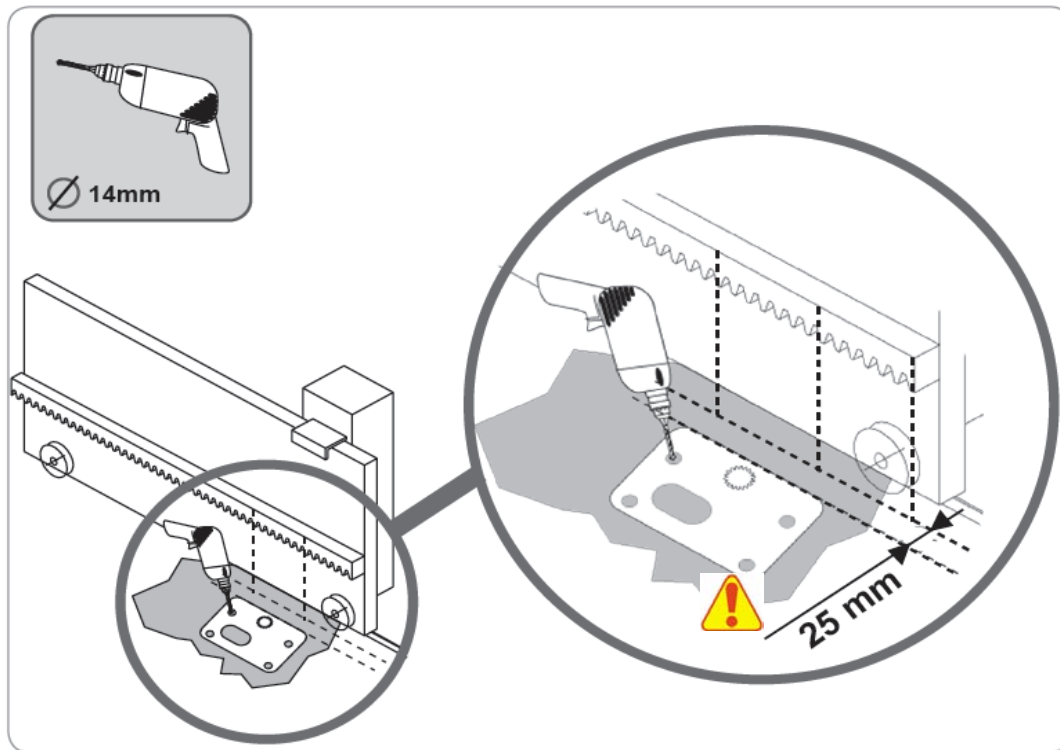


**Unlocking**



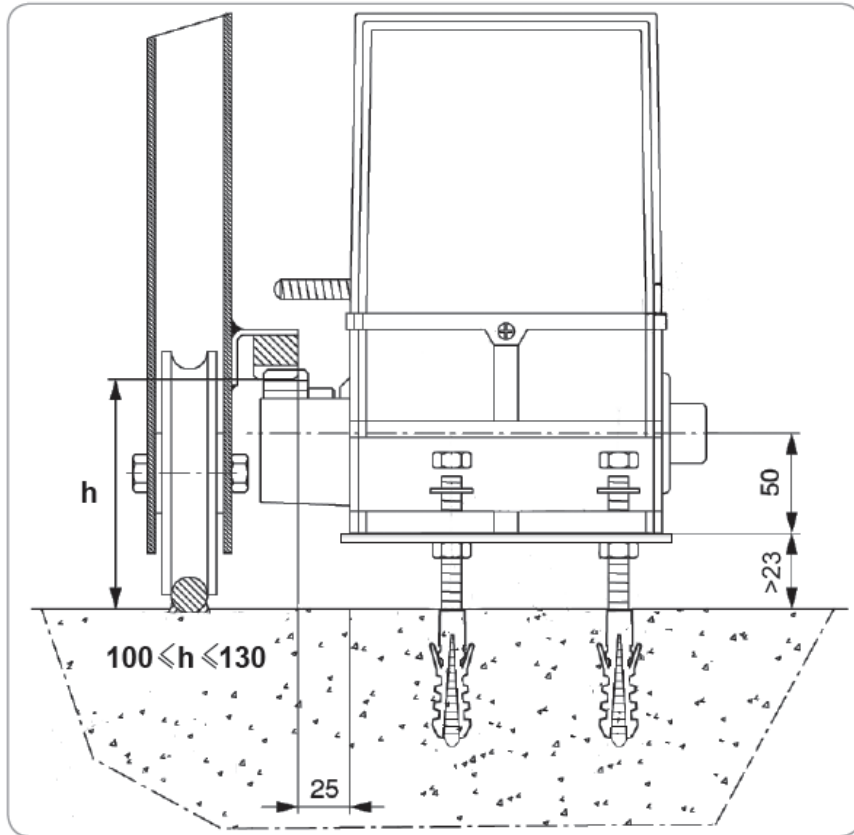
## Preparation of Fixation motor

- 1 - Position the drilling template on the ground
- 2 - Trace and drill the fixation holes



 **25 mm** = Allow to position the motor vertically and after to move horizontally under the rack

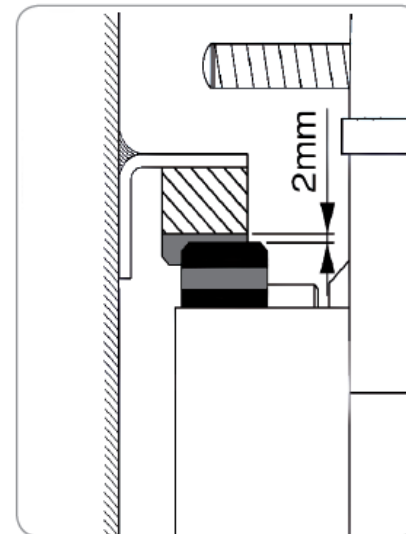
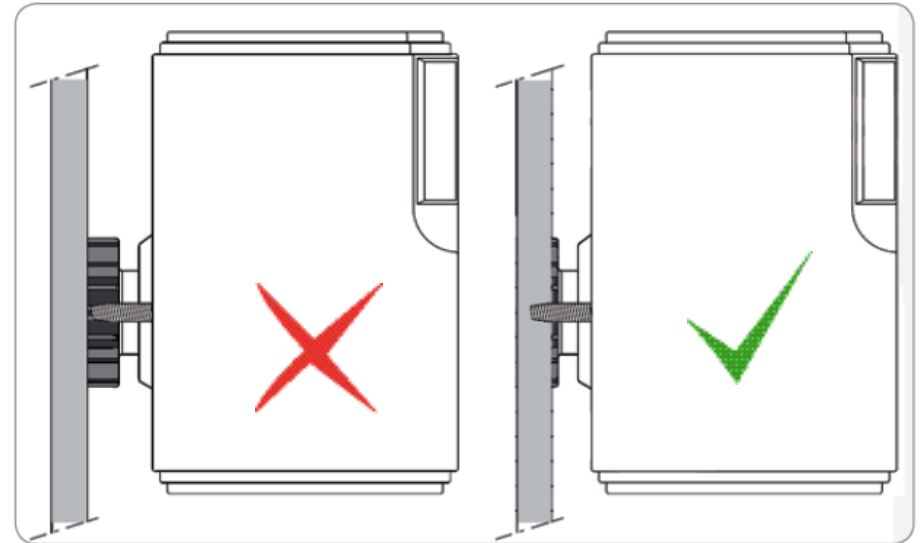
## Fixation motor



1 – Height positioning for the motor :

For protect if there have a water

2 – Alignment pinion with rack



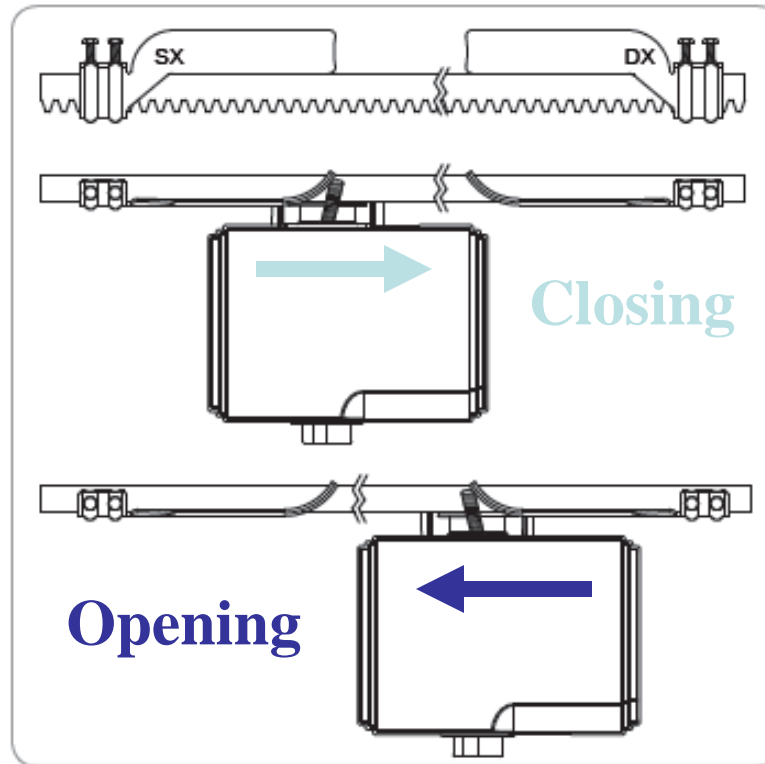
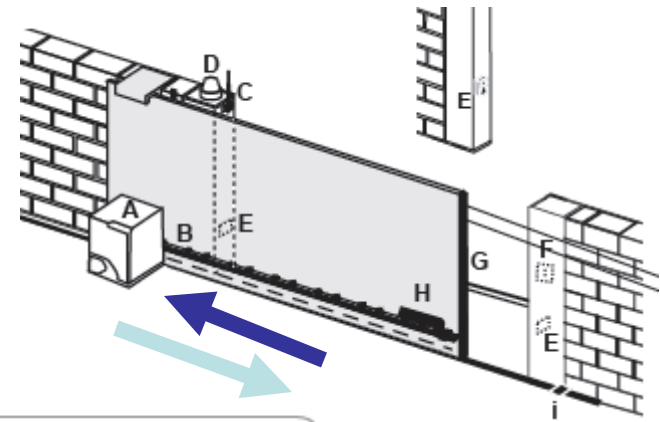
3 – Gap between pinion and rack :

The pinion mustn't support the gate

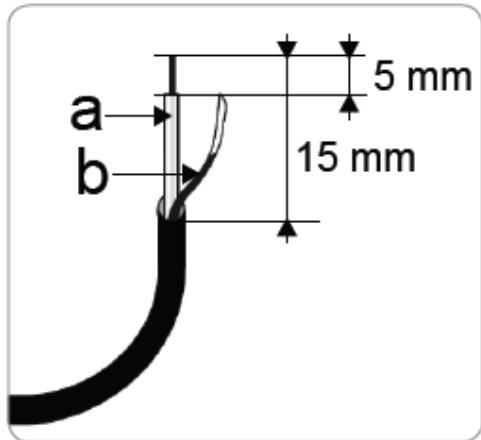
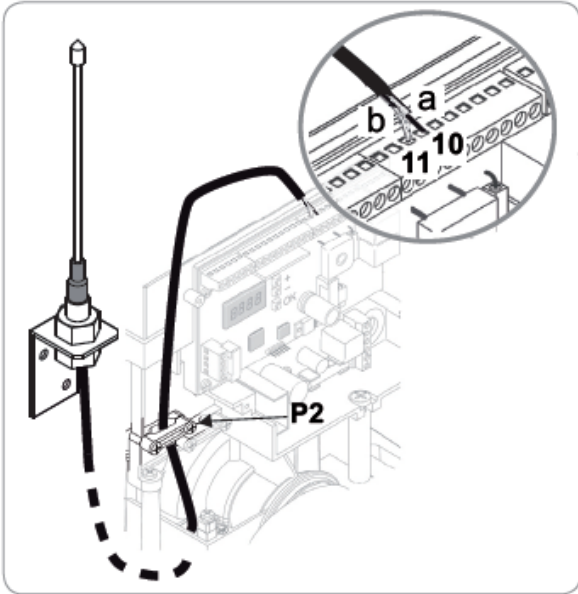


## Fixation mechanical end limit

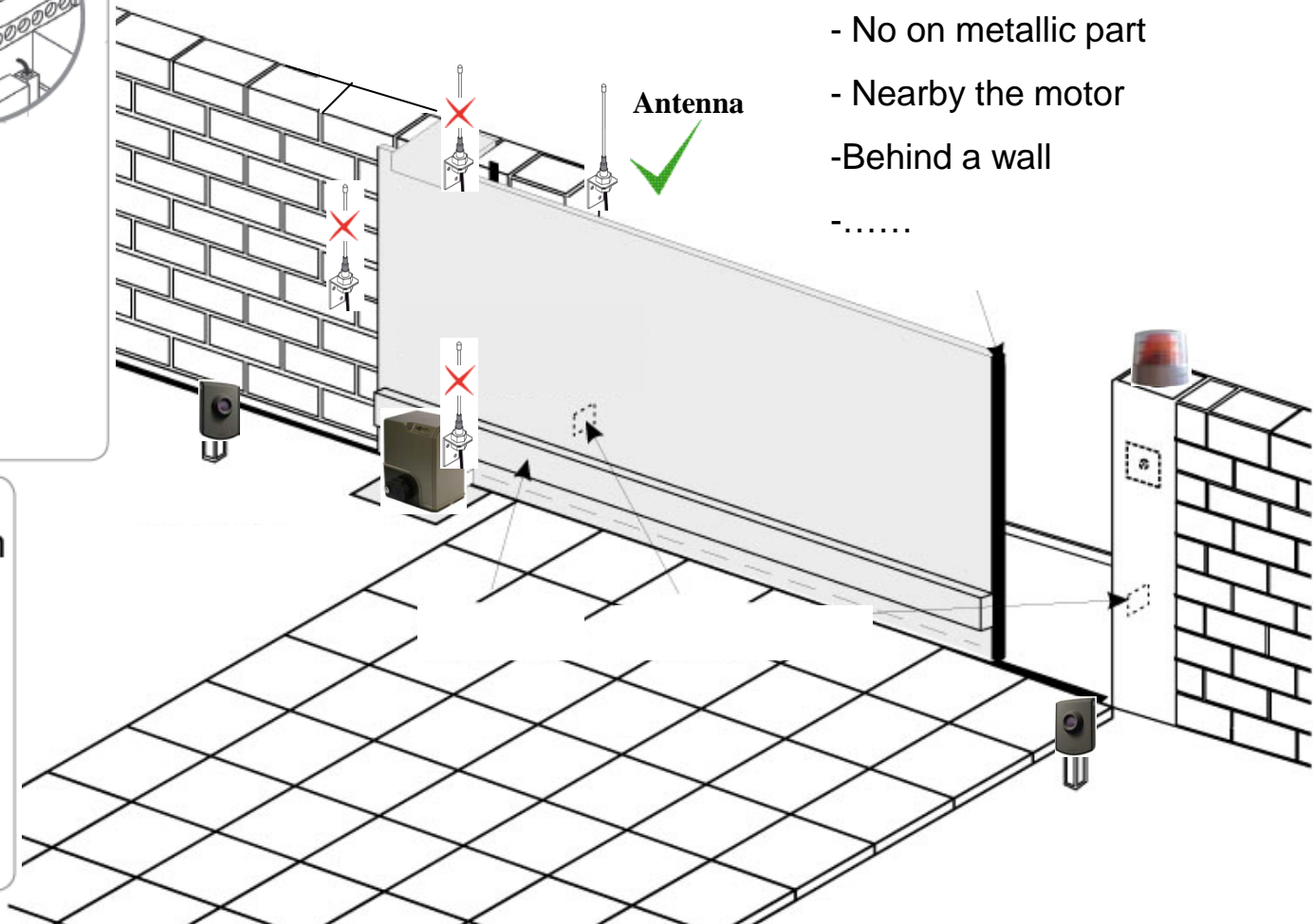
- 1 – Put the gate in opening position
- 2 – Fix the mechanical end limit
- 3 – Put the gate in closing position
- 4 – Fix the mechanical end limit



## Antenna Wiring

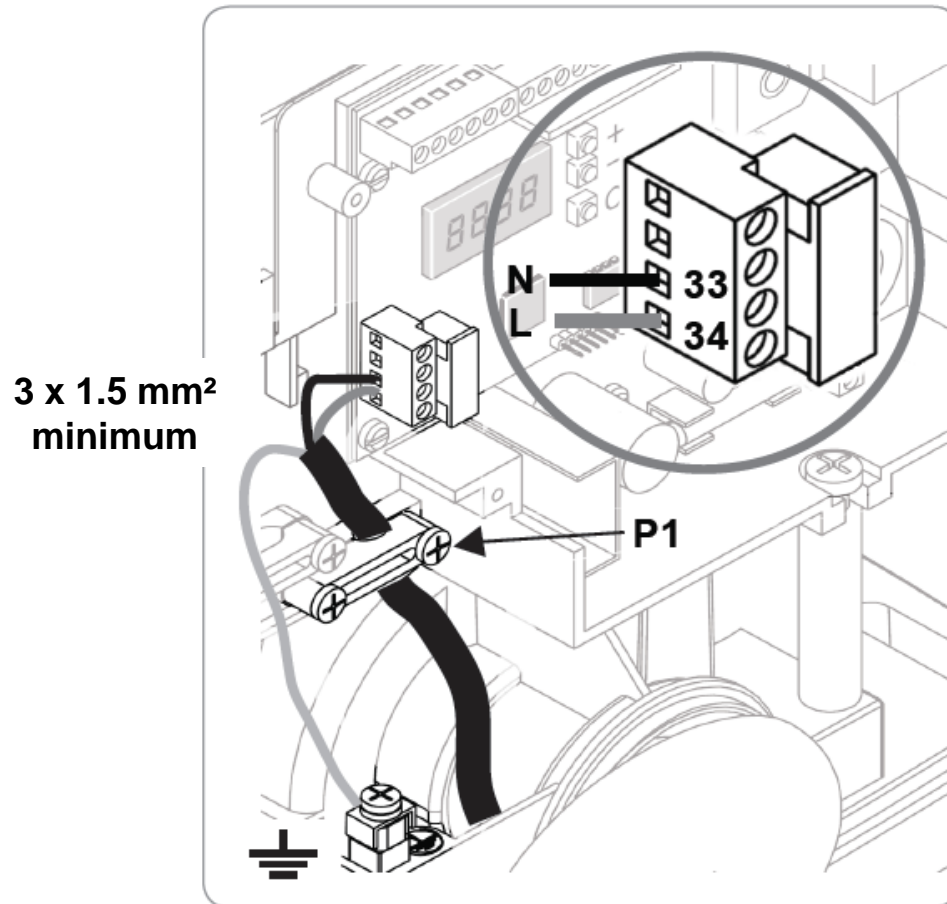


## Positioning for antenna



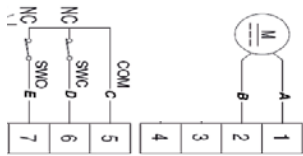
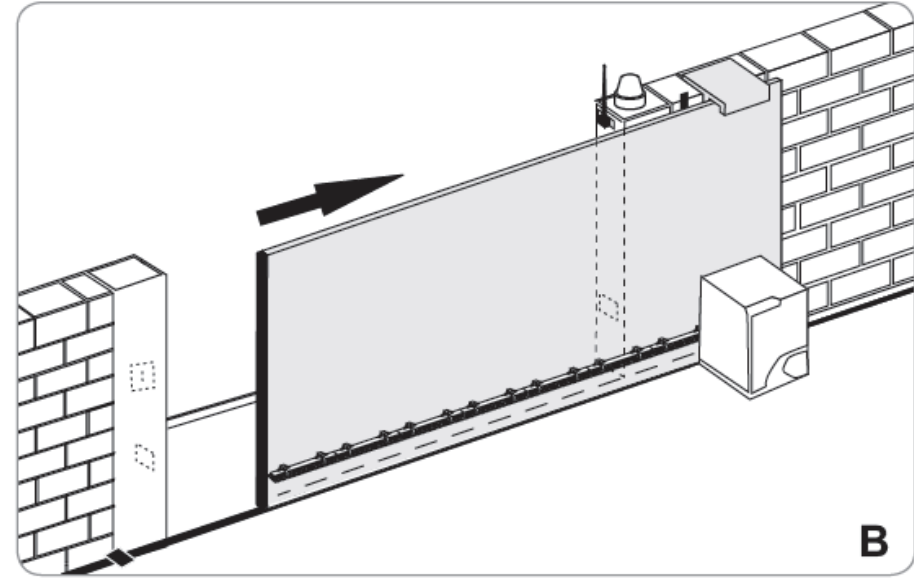
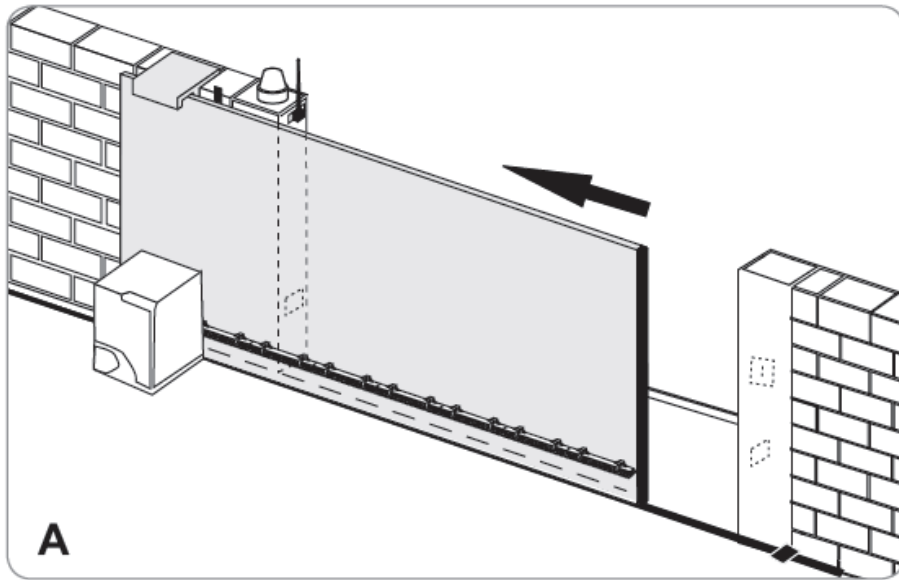
- No on metallic part
- Nearby the motor
- Behind a wall
- .....

## Power Wiring



# Installation ELIXO 500

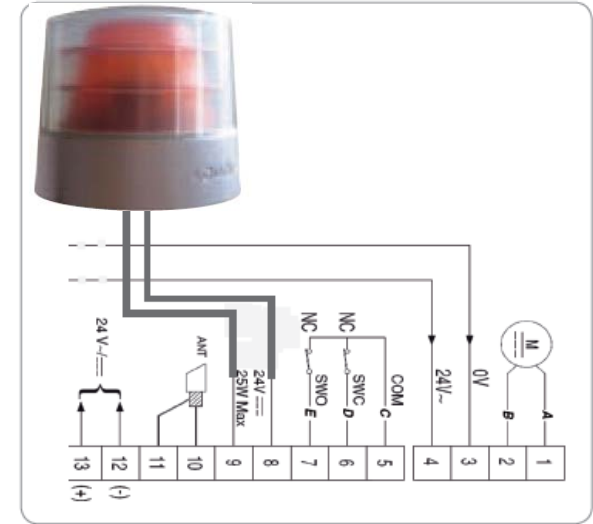
## Checking a good wiring (opening and closing) ELIXO 500 – 24 V



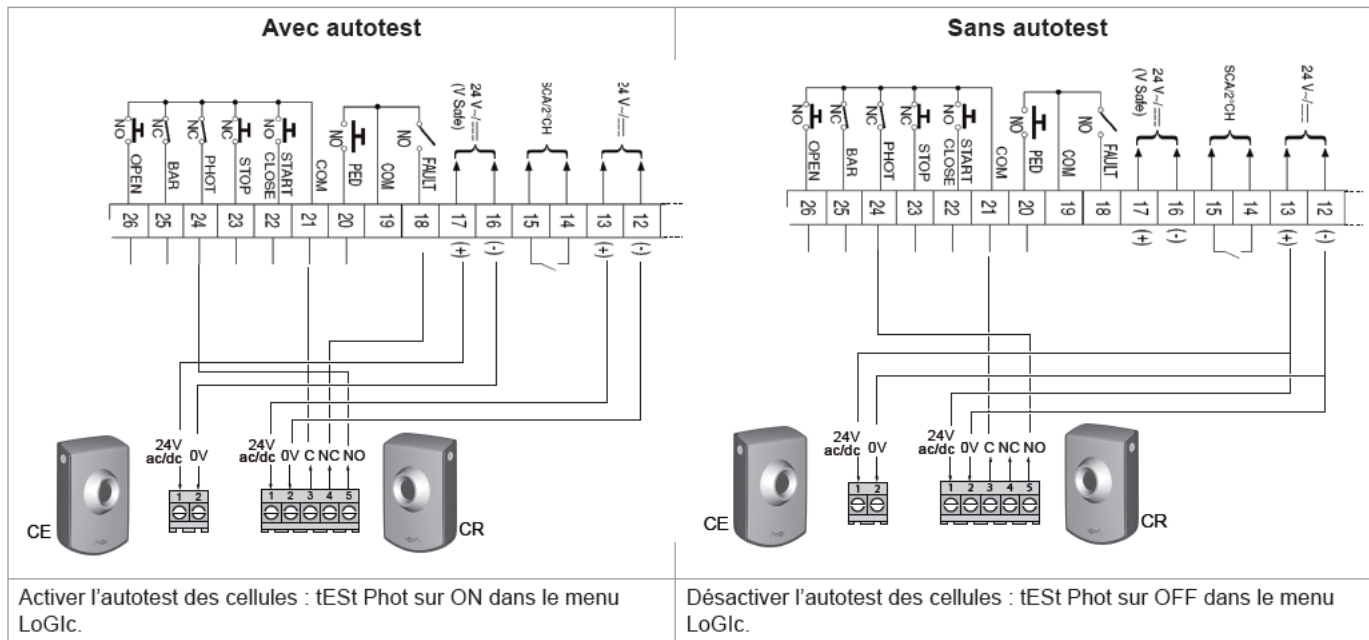
		Installation A	Installation B
	Colour of wire	Number connector	Number connector
Motor connection	Red (B)	1	2
	Blue (A)	2	1
Electric end limit	Brown (E)	6	7
	Red (D)	7	6
	Black (C)	5	5

## Example accessories Wiring

### Orange light Wiring

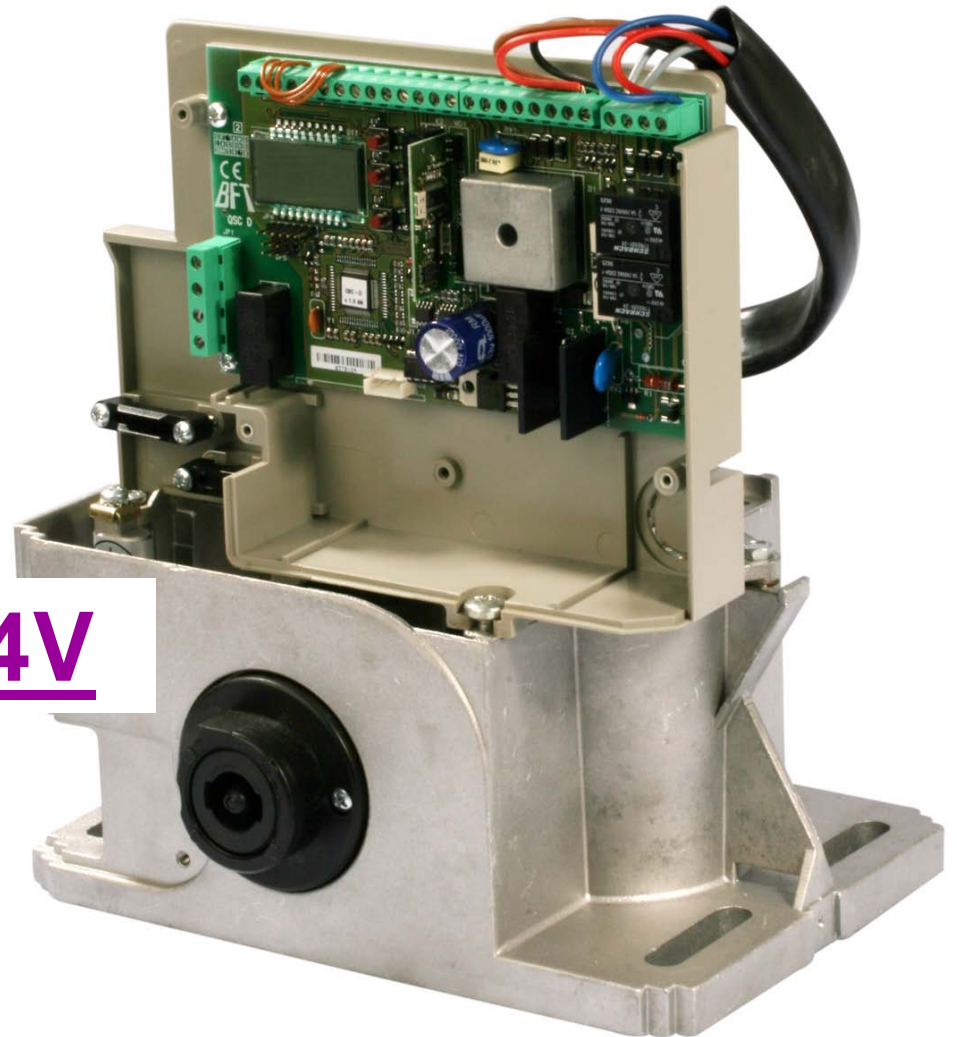


### Photocells Wiring



# 6 - Programming ELIXO 500

## 6-1 - ELIXO 500 24V



# Programming : ELIXO 500 - 24 V

Logic [LoGlc]: to select the motor operating mode and devices.			
Automatic closure [tcA]	ON: Activates automatic closure <b>OFF: Deactivates automatic closure</b>	<b>OFF</b>	The gate closes automatically after the programmed time delay.
3 Step [3 STEP]	ON: Activates the 3 step logic. <b>OFF: Activates the 4 step logic.</b>	<b>OFF</b>	3 STEP = operation in semi-automatic mode (see "User's manual" pg. 3). <b>4 STEP = operation in sequential mode</b> (see "User's manual" pg. 3).
Blocking impulses [IbL oPEn]	ON: In opening mode only <b>OFF: None</b>	<b>OFF</b>	Impulses during opening have no effect.
Photoelectric cell operation [Photoc. oPEn]	ON: In closing mode only.  <b>OFF: In opening and closing mode.</b>	<b>OFF</b>	In closing mode, the gate stops then reverses its movement. In opening mode, cells are inactive.  <b>In closing mode, the gate stops and reverses its movement once the cells are no longer obstructed.</b> <b>In opening mode, the gate stops then continues its movement once the cells are no longer obstructed.</b>
Photoelectric cell test [tEST Phot]	ON: Activates the cell autotest function. <b>OFF: Deactivates the cell autotest function.</b>	<b>OFF</b>	See the diagram for connection of the cells with autotest pg. 9 and 10.
Pre-warning [PrEAL]	ON: With pre-warning  <b>OFF: Without pre-warning</b>	<b>OFF</b>	With pre-warning: the integrated flashing amber light comes on approximately 3 seconds before motorisation starts. <b>Without pre-warning: the integrated flashing amber light comes on when motorisation starts.</b>
Sustained action [hoLd-to-rUn]	ON: Operation with sustained action activated. <b>OFF: Operation with impulse action, according to 3 or 4 step logic.</b>	<b>OFF</b>	Operation in hold-to-run mode, only with a wired control: continuous movement while the control button remains pressed.
START-CLOSE selection [StArt - cLoSE]	ON: the input between terminals 21 and 22 operates as CLOSE.  <b>OFF: the input between terminals 21 and 22 operates as START.</b>	<b>OFF</b>	CLOSE: the device connected between terminals 21 and 22 only enables the gate to be closed.  <b>START: the device connected between terminals 21 and 22 enables the motorisation to operate in sequential mode.</b>
Pedestrian opening [PEdEStrIAn]	ON: Activates the pedestrian opening. <b>OFF: Deactivates the pedestrian opening.</b>	<b>OFF</b>	Operation of the pedestrian opening: pressing the button briefly opens the gate partially and pressing and holding the button opens the gate fully. Fixed opening time: 7 seconds.
Preset [dEFAULT]: to reset the motor (factory default settings).			