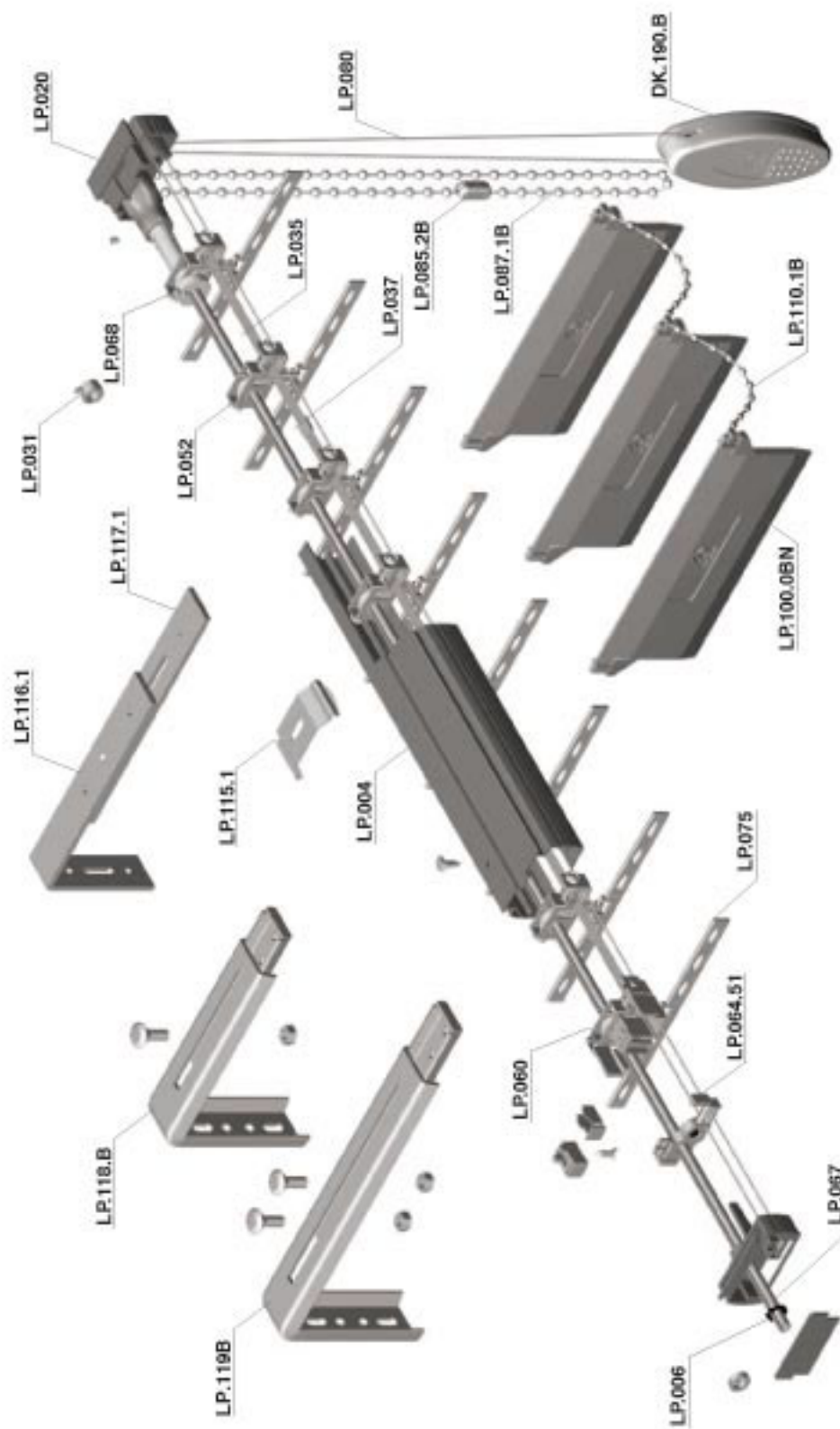




Tabella Table Table Horario Tabelle	 LP.035	 LP.036	 LP.036.79
 LP.050	LP.050.127SX LP.050.127DX	LP.050.90SX LP.050.90DX	
 LP.052	LP.052.127SX LP.052.127DX	LP.052.90SX LP.052.90DX	
 LP.058			LP.058.90SX79 LP.058.90DX79



Vertical Avanqarde



Vertical

Vertical

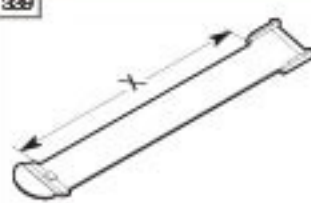

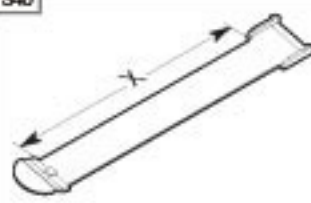









Vertical Avangarde



	<p>LP.004.B5 <i>White</i></p> <p>Cassonetto Avangarde Avangarde track Rail Avangarde</p> <p>Avangarde</p> <p>ml. 69,6</p>		<p>LP.026.90</p> <p>Gruppo com. incl. Avangarde Dx 90 Avangarde control unit slope blinds R 90 Groupe comm. dro. trapeze Avangarde 90</p> <p>Avangarde</p> <p>pz. 100</p>
	<p>LP.020 <i>Control unit PL chain</i></p> <p>Gruppo comando Avangarde Sx 127 Avangarde control unit L 127 Groupe comm. gauche Avangarde 127</p> <p>Avangarde</p> <p>pz. 100</p>		<p>CLP.027.51</p> <p>Ruota catena metallo da 3,2 mm Metal chain wheel 3,2 mm Toume pour chain metal 3,2 mm</p> <p>Avangarde - Elegance</p> <p>pz. 1000</p>
	<p>LP.024 <i>Control unit PL chain</i></p> <p>Gruppo comando Avangarde Dx 127 Avangarde control unit R 127 Groupe comm. droit Avangarde 127</p> <p>Avangarde</p> <p>pz. 100</p>		<p>CLP.027.151</p> <p>Ruota catena metallo da 4,5 mm Metal chain wheel 4,5 mm Toume pour chain metal 4,5 mm</p> <p>Avangarde - Elegance</p> <p>pz. 1000</p>
	<p>LP.022 <i>Control unit PL chain</i></p> <p>Gruppo com. incl. Avangarde Sx 127 Avangarde control unit slope blinds L 127 Groupe com. gau. trapeze Avangarde 127</p> <p>Avangarde</p> <p>pz. 100</p>		<p>LP.031</p> <p>Anello d'arresto per gruppo comando Stop ring Bague d'arret</p> <p>Avangarde - Elegance</p> <p>pz. 100</p>
	<p>LP.026 <i>Control unit PL chain</i></p> <p>Gruppo com. incl. Avangarde Dx 127 Avangarde control unit slope blinds R 127 Groupe com. gau. trapeze Avangarde 127</p> <p>Avangarde</p> <p>pz. 100</p>		<p>LP.007.05</p> <p>Alberino 3 vie Tild rod 3 prongs Guide 3 voies</p> <p>Avangarde - Elegance - Classic</p>
	<p>LP.020.90</p> <p>Gruppo comando Avangarde Sx 90 Avangarde control unit L 90 Groupe comm. gauche Avangarde 90</p> <p>Avangarde</p> <p>pz. 100</p>		<p>LP.006.05</p> <p>Alberino Avangarde Avangarde tild rod Guide Avangarde</p> <p>Avangarde - Elegance - Classic</p>
	<p>LP.024.90</p> <p>Gruppo comando Avangarde Dx 90 Avangarde control unit R 90 Groupe comm. droit Avangarde 90</p> <p>Avangarde</p> <p>pz. 100</p>		<p>LP.035 <i>x=115</i></p> <p>Lamella plastica da 127 standard Link plastic 127 standard Lam. reliaje pl. 127 standard</p> <p>Avangarde - Elegance - Classic</p> <p>pz. 500</p>
	<p>LP.022.90</p> <p>Gruppo com. incl. Avangarde Sx 90 Avangarde control unit slope blinds L 90 Groupe comm. gau. trapeze Avangarde 90</p> <p>Avangarde</p> <p>pz. 100</p>		<p>LP.035.xxx <i>x=113-117</i></p> <p>Lamella plastica da 127 Link plastic 127 Lam. reliaje pl. 127</p> <p>Avangarde - Elegance - Classic</p> <p>pz. 500</p>



Vertical Avangarde

<p>339</p> 	<p>LP.036 <i>x=77</i></p> <p>Lamella plastica da 90 Link plastic 90 Lam. reliage pl. 90</p> <p>Avangarde - Elegance - Classic</p> <p>pz. 500</p>	<p>347</p> 	<p>LP.050 <i>Plastic link</i></p> <p>Carrello Avangarde h.30 mm Carrier plastic link h.30 mm Chariot lamelle plastich h.30 mm</p> <p>Avangarde</p> <p>pz. 1000</p>
<p>340</p> 	<p>LP.036.xxx <i>x=75-79</i></p> <p>Lamella plastica da 90 Link plastic 90 Lam. reliage pl. 90</p> <p>Avangarde - Elegance - Classic</p> <p>pz. 500</p>	<p>348</p> 	<p>LP.051 <i>Metal link</i></p> <p>Carrello Avangarde h.30 mm Carrier metal link h.30 mm Chariot lamelle metal h.30 mm</p> <p>Avangarde</p> <p>pz. 1000</p>
<p>341</p> 	<p>LP.040 <i>x=115</i></p> <p>Lamella inox da 127 Metal link 127 Lam. reliage metal. 127</p> <p>Avangarde - Elegance</p> <p>pz. 500</p>	<p>349</p> 	<p>LP.052 <i>Plastic link</i></p> <p>Carrello Avangarde h.34 mm Carrier plastic link h.34 mm Chariot lamelle plastich h.34 mm</p> <p>Avangarde - Elegance</p> <p>pz. 1000</p>
<p>342</p> 	<p>LP.040.xxx <i>x=113-117</i></p> <p>Lamella inox da 127 Metal link 127 Lam. reliage metal. 127</p> <p>Avangarde - Elegance</p> <p>pz. 500</p>	<p>350</p> 	<p>LP.053 <i>Metal link</i></p> <p>Carrello Avangarde h.34 mm Carrier metal link h.34 mm Chariot lamelle metal h.34 mm</p> <p>Avangarde - Elegance</p> <p>pz. 1000</p>
<p>343</p> 	<p>LP.041 <i>x=77</i></p> <p>Lamella inox da 90 Metal link 90 Lam. reliage metal. 90</p> <p>Avangarde - Elegance</p> <p>pz. 500</p>		
<p>344</p> 	<p>LP.041.xxx <i>x=75-79</i></p> <p>Lamella inox da 90 Metal link 90 Lam. reliage metal. 90</p> <p>Avangarde - Elegance</p> <p>pz. 500</p>		
<p>345</p> 	<p>LP.042.xxx <i>x=40-200 mm</i></p> <p>Lamella inox Metal link Lamelle reliage</p> <p>Avangarde - Elegance</p> <p>pz. 1000</p>		
<p>346</p> 	<p>LP.043.xxx <i>x=140-160-180-200</i></p> <p>Lamella inox senza coda Metal link with flat end Lamelle reliage met. sans queue</p> <p>Avangarde - Elegance</p> <p>pz. 1000</p>		

Vertical

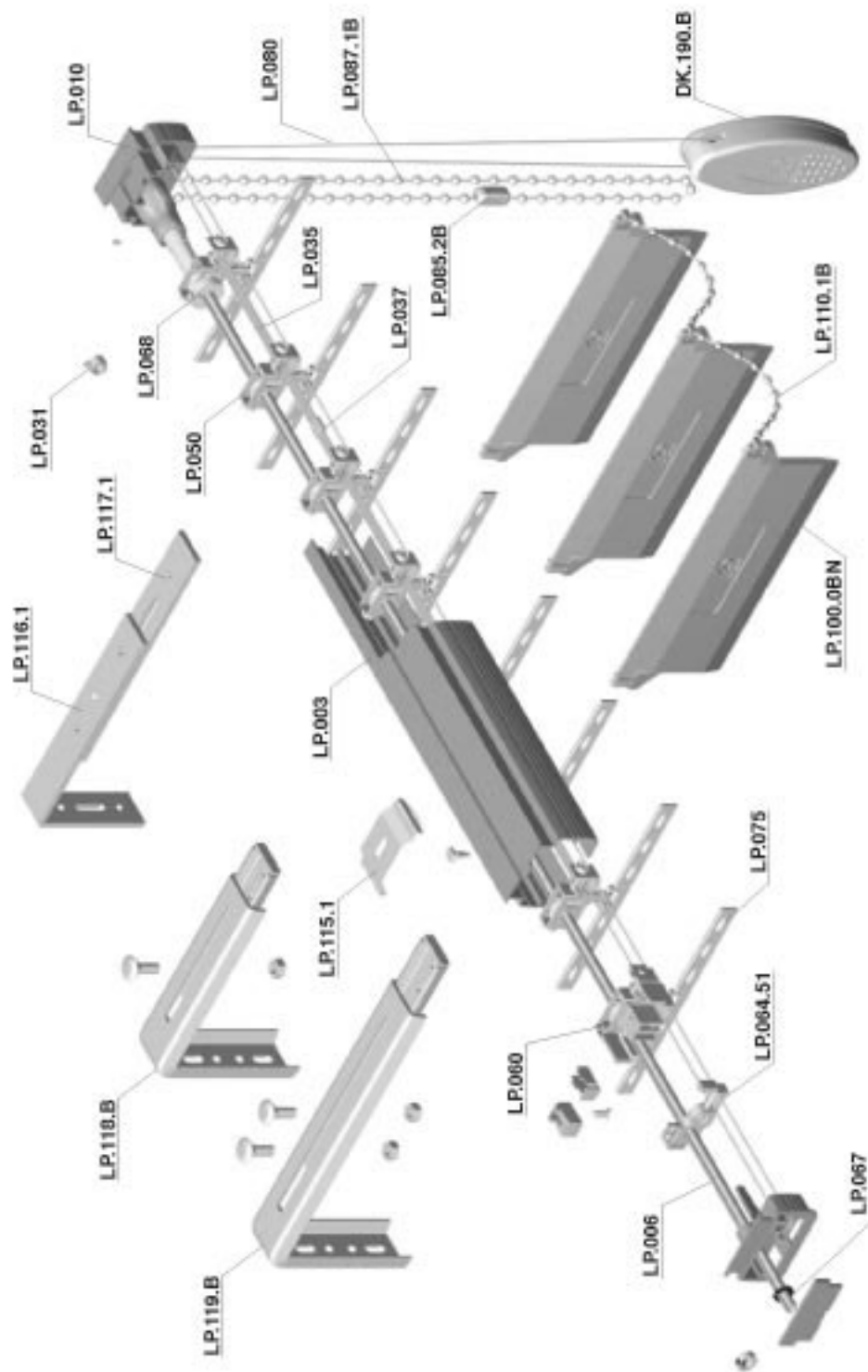
Vertical



Tabella Table Table Horario Tabelle	 LP.035	 LP.036	 LP.036.79
 LP.050	LP.050.127SX LP.050.127DX	LP.050.90SX LP.050.90DX	
 LP.052	LP.052.127SX LP.052.127DX	LP.052.90SX LP.052.90DX	
 LP.058			LP.058.90SX79 LP.058.90DX79



Vertical Elegance



Vertical

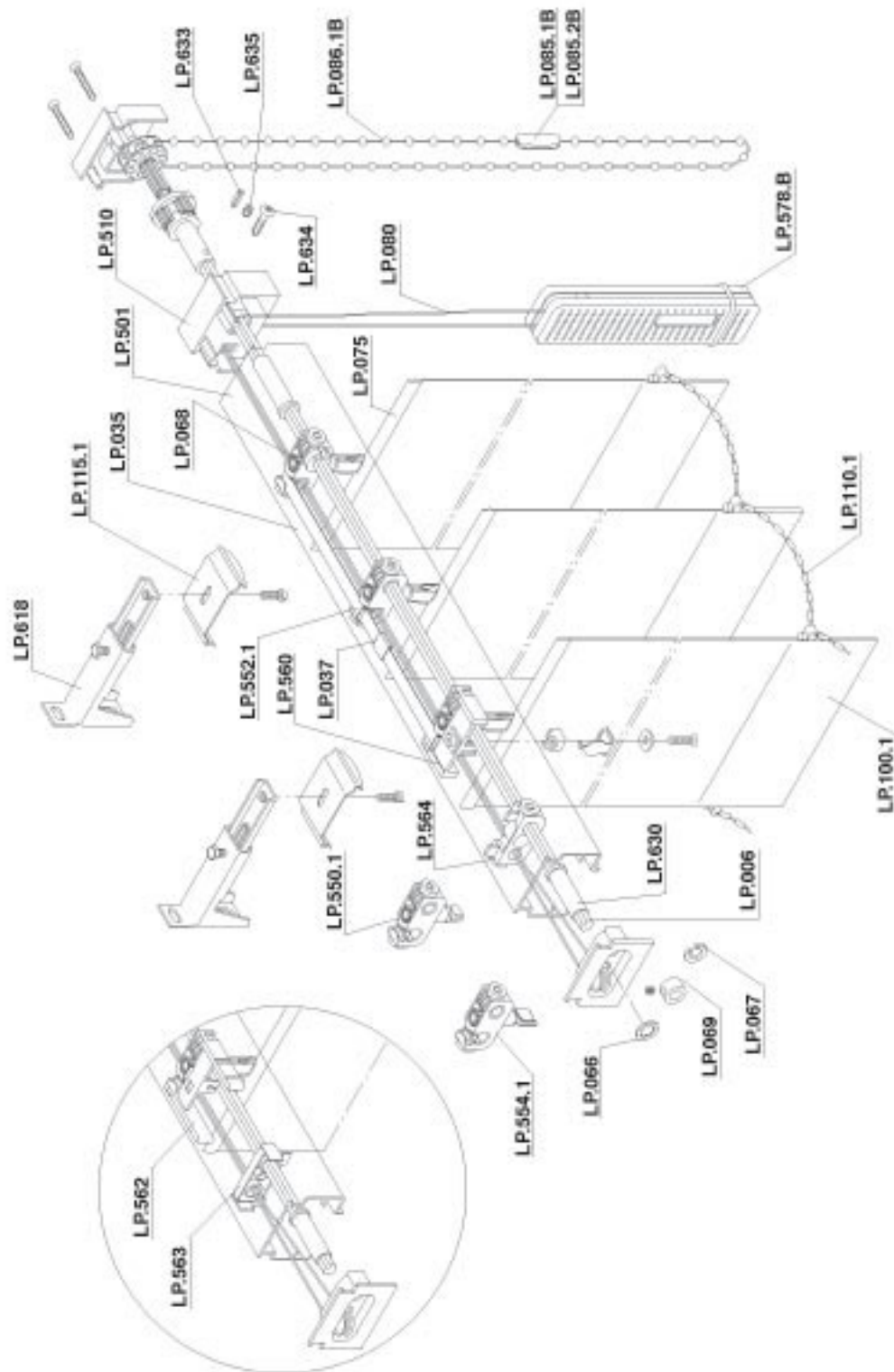
Vertical



361		<p>LP.003.B5 <i>White</i></p> <p>Cassonetto Elegance Elegance track Rail Elegance</p>	ml. 92,8
362		<p>LP.010 <i>Control unit PL chain</i></p> <p>Gruppo comando Elegance Sx Elegance contrl unit L Groupe comm.gauché Elegance</p>	pz. 100
363		<p>LP.014 <i>Control unit PL chain</i></p> <p>Gruppo comando Elegance Dx Elegance contrl unit R Groupe comm.droit Elegance</p>	pz. 100
364		<p>LP.010.90</p> <p>Gruppo comando Elegance Sx Elegance control unit L Groupe comm. gauche Elegance</p>	pz. 100
365		<p>LP.014.90</p> <p>Gruppo comando Elegance Dx Elegance control unit R Groupe comm. droit Elegance</p>	pz. 100
332		<p>CLP.027.51</p> <p>Ruota catena metallo da 3,2 mm Metal chain wheel 3,2 mm Toume pour chain metal 3,2 mm</p>	pz. 1000
333		<p>CLP.027.151</p> <p>Ruota catena metallo da 4,5 mm Metal chain wheel 4,5 mm Toume pour chain metal 4,5 mm</p>	pz. 1000
334		<p>LP.031</p> <p>Anello d'arresto per gruppo comando Stop ring Bague d'arret</p>	pz. 100



Vertical Classic



Vertical






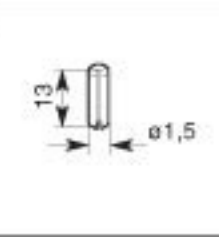
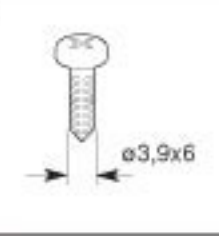
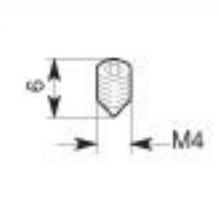
Vertical



	<p>LP.501.B5 <i>White</i></p> <p>Cassonetto Classic Classic track Rail Classic</p> <p>Classic</p> <p>mt. 92,8</p>		<p>LP.036.xxx <i>x=75-79</i></p> <p>Lamella plastica da 90 Link plastic 90 Lam. reliage pl. 90</p> <p>Avangarde - Elegance - Classic</p> <p>pz. 500</p>
	<p>LP.510.x <i>Plastic/Metal chain</i></p> <p>Gruppo comando Classic Classic control unit Groupe command Classic</p> <p>Classic</p> <p>pz. 50</p>		<p>LP.540 <i>Standard 127 x=115</i></p> <p>Lamella inox Metal link Lam. reliage metal.</p> <p>Classic</p> <p>pz. 50</p>
	<p>LP.630</p> <p>Tubo distanziatore Distance tube Tube d'encartement</p> <p>Classic</p> <p>pz. 100</p>		<p>LP.540.xxx <i>x=113-117</i></p> <p>Lamella inox Metal link Lam. reliage metal.</p> <p>Classic</p> <p>pz. 500</p>
	<p>LP.006.05</p> <p>Alberino Avangarde Avangarde tild rod Guide Avangarde</p> <p>Avangarde - Elegance - Classic</p>		<p>LP.541 <i>Standard 90 x=77</i></p> <p>Lamella inox Metal link Lam. reliage metal.</p> <p>Classic</p> <p>pz. 500</p>
	<p>LP.007.05</p> <p>Alberino 3 vie Tild rod 3 prongs Guide 3 voies</p> <p>Avangarde - Elegance - Classic</p>		<p>LP.541.xxx <i>x=75-79</i></p> <p>Lamella inox Metal link Lam. reliage metal.</p> <p>Classic</p> <p>pz. 500</p>
	<p>LP.035 <i>x=115</i></p> <p>Lamella plastica da 127 standard Link plastic 127 standard Lam. reliage pl. 127 standard</p> <p>Avangarde - Elegance - Classic</p> <p>pz. 500</p>		<p>LP.542.xxx <i>x=40-200 mm</i></p> <p>Lamella inox Metal link Lamelle reliage</p> <p>Classic</p> <p>pz. 500</p>
	<p>LP.035.xxx <i>x=113-117</i></p> <p>Lamella plastica da 127 Link plastic 127 Lam. reliage pl. 127</p> <p>Avangarde - Elegance - Classic</p> <p>pz. 500</p>		<p>LP.543.xxx <i>x=140-160-180-200</i></p> <p>Lamella inox senza coda Metal link with flat end Lamelle reliage met. sans queue</p> <p>Classic</p> <p>pz. 500</p>
	<p>LP.036 <i>x=77</i></p> <p>Lamella plastica da 90 Link plastic 90 Lam. reliage pl. 90</p> <p>Avangarde - Elegance - Classic</p> <p>pz. 500</p>		<p>LP.550.1 <i>Plastic link</i></p> <p>Carrello CLS lam. e gancio pl. Carrier CLS plastic link / hook Chariot CLS lame. /crochette plastique</p> <p>Classic</p> <p>pz. 1000</p>


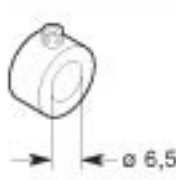
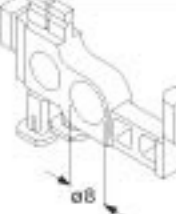



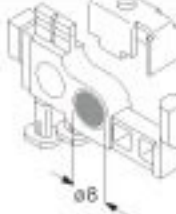
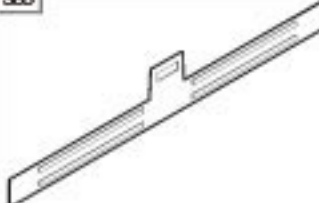
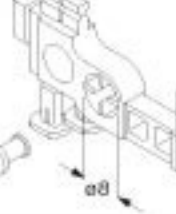









Vertical Classic


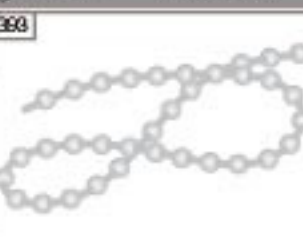

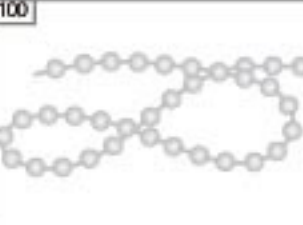



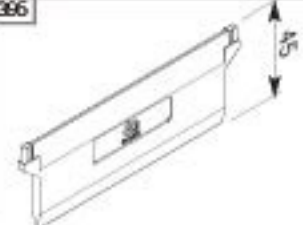

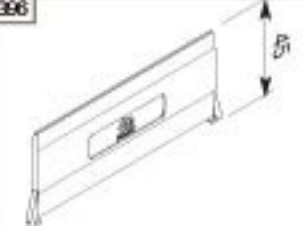

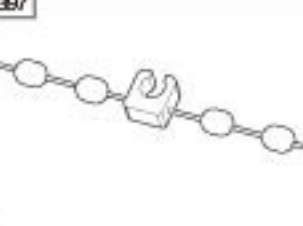




	<p>LP.551.1 <i>Metal link</i></p> <p>Carrello CLS lam. inox gancio pl. Carrier CLS inox link / plastic hook Chariot CLS lame. inox /crochette plastique</p> <p>Classic</p> <p>pz. 1000</p>	
	<p>LP.552.1 <i>Plastic link</i></p> <p>Carrello CLS lam. pl. gancio clip Carrier CLS plastic link /clip hook Chariot CLS lame. pl. /crochette clip</p> <p>Classic</p> <p>pz. 1000</p>	
	<p>LP.553.1 <i>Metal link</i></p> <p>Carrello CLS lam. inox gancio clip Carrier CLS inox link /clip hook Chariot CLS lame. inox /crochette clip</p> <p>Classic</p> <p>pz. 1000</p>	
	<p>LP.554 <i>Plastic link</i></p> <p>Carrello CLS lam. pl. gancio inox Carrier CLS plastic link /inox hook Chariot CLS lame. pl. /crochette inox</p> <p>Classic</p> <p>pz. 1000</p>	
	<p>LP.555 <i>Metal link</i></p> <p>Carrello CLS lam. e gancio inox Carrier CLS inox link /inox hook Chariot CLS lame. inox /crochette inox</p> <p>Classic</p> <p>pz. 1000</p>	
	<p>LP.633</p> <p>Spina elastica 1,5 x 13 Shaft pin Cheville de blocage</p> <p>Classic</p> <p>pz. 100</p>	
	<p>LP.634</p> <p>Vite per gruppo comando 3,9x6 Screw 3,9x6 Vis piece d'extremite 3,9x6</p> <p>Classic</p> <p>pz. 100</p>	
	<p>LP.635</p> <p>Grano per gruppo comando 4x6 Allen screw 4x6 Vis de fixation 4x6</p> <p>Classic</p>	

Vertical Avangarde - Elegance - Classic



<p>374</p> 	<p>LP.060 Carrello tirante Master carrier Chariot tirant</p> <p>Avangarde - Elegance</p> <p style="text-align: right;">pz. 100</p>	<p>382</p>  <p style="text-align: center;">$\varnothing 6,5$</p>	<p>LP.069 Anello d'arresto per alberino Stop ring Bague d'arret</p> <p>Avangarde - Elegance - Classic</p> <p style="text-align: right;">pz. 100</p>
<p>375</p>  <p style="text-align: center;">$\varnothing 8$</p>	<p>LP.063.1 Supporto apertura centrale Rod support central opening Supp.d'axe pour ouvert. centr.</p> <p>Avangarde - Elegance</p> <p style="text-align: right;">pz. 50</p>	<p>383</p> 	<p>LP.073 127 mm LP.074 90 mm Barretta plastica infilata Slat holder plastic piled Barrette d'accrochage pl. enfilée</p> <p style="text-align: right;">pz. 500</p>
<p>376</p>  <p style="text-align: center;">$\varnothing 5$</p>	<p>LP.064.51 Supporto calamitato 5 mm Rod supp with magnet 5 mm Supp.d'axe aimante 5 mm</p> <p>Avangarde - Elegance</p> <p style="text-align: right;">pz. 50</p>	<p>384</p> 	<p>LP.075 127 mm LP.076 90 mm Barretta plastica standard Slat holder plastic standard Barrette d'accrochage plastique standard</p> <p style="text-align: right;">pz. 500</p>
<p>377</p>  <p style="text-align: center;">$\varnothing 6$</p>	<p>LP.064.81 Supporto calamitato 8 mm Rod supp with magnet 8 mm Supp.d'axe aimante 8 mm</p> <p>Avangarde - Elegance</p> <p style="text-align: right;">pz. 50</p>	<p>385</p> 	<p>LP.575 127 mm LP.576 90 mm Barretta plastica Slat holder plastic Barrette d'accrochage plastique</p> <p style="text-align: right;">pz. 500</p>
<p>378</p>  <p style="text-align: center;">$\varnothing 8$</p>	<p>LP.065.1 Supporto alberino con ferro Rod support with iron Supp.d'axe en fer</p> <p>Avangarde - Elegance</p> <p style="text-align: right;">pz. 50</p>	<p>386</p> 	<p>LP.077 127 mm LP.078 90 mm Barretta metallo Slat holder-metal Barrette d'accrochage en metal</p> <p style="text-align: right;">pz. 500</p>
<p>379</p> 	<p>LP.066 Anello a stella Retaining washer Rondelle a étoile</p> <p>Avangarde - Elegance</p> <p style="text-align: right;">pz. 500</p>	<p>387</p>  <p style="text-align: center;">10</p>	<p>LP.037 Riduttore per lamella in plastica Plastic link reduction Reducteur de lamelle plastique</p> <p>Avangarde - Elegance - Classic</p> <p style="text-align: right;">pz. 500</p>
<p>380</p> 	<p>LP.067 Seeger 6 mm Seeger 6 mm Bague seeger 6 mm</p> <p>Avangarde - Elegance</p> <p style="text-align: right;">pz. 500</p>	<p>388</p> 	<p>LP.079.30 Ang. 30° LP.079.40 Ang. 40° LP.079.50 Ang. 50° Snodo uncino tende inclinate Joint for slope blinds Joint pour stores trapeze</p> <p style="text-align: right;">pz. 100</p>
<p>381</p>  <p style="text-align: center;">$\varnothing 6$</p>	<p>LP.068 Anello d'arresto plastica Plastic stop ring Bague d'arret en plastique</p> <p>Avangarde - Elegance</p> <p style="text-align: right;">pz. 500</p>	<p>389</p> 	<p>LP.079.130 Ang. 30° LP.079.140 Ang. 40° LP.079.150 Ang. 50° Snodo clip tende inclinate Joint clip for slope blinds Joint clip pour stores trapeze</p> <p style="text-align: right;">pz. 100</p>

Vertical Avangarde - Elegance - Classic

	<p>390 LP.080 LP.080.B <i>Two colors</i> <i>White</i> Corda comando Cord Cordon ml. 500</p>		<p>393 LP.092 Catena orientamento metallo 3,2 Operating ballchain metal 3,2 Chain d'orientation metal 3,2 Avangarde - Elegance ml. 200</p>
	<p>391 DK.190.0B <i>Plastic weight</i> Tendicorda LD Weight for cord LD Contrepoids pour cordon LD Avangarde - Elegance - Classic pz. 50</p>		<p>100 LP.093 Catena orientamento metallo 4,5x6mm Operating ballchain metal 4,5x6mm Chain d'orientation metal 4,5x6mm ml. 200</p>
	<p>392 DK.190.01B <i>Metal weight</i> Tendicorda LD Weight for cord LD Contrepoids pour cordon LD Avangarde - Elegance - Classic pz. 50</p>		<p>394 LP.100.0BN <i>127 mm</i> LP.101.0BN <i>90 mm</i> Peso telo Slat weight Plaque de lestage pz. 200</p>
	<p>103 LP.085.1x Giunzione catena plastica Plastic joint for chain Clip pour plastic chain pz. 100</p>		<p>396 LP.102.1BN <i>127 mm</i> LP.103.1BN <i>90 mm</i> Peso telo basso Short slat weight Plaque de lestage basse pz. 200</p>
	<p>104 LP.085.2B <i>White</i> Giunzione catena plastica 4,5 Plastic joint for chain 4,5 Clip pour plastic chain 4,5 pz. 100</p>		<p>398 LP.104.1BN <i>127 mm</i> LP.105.1BN <i>90 mm</i> Peso telo senza catena Chainless slat weight Plaque de lestage sans chain pz. 200</p>
	<p>101 LP.090 <i>cat. 3,2</i> Giunzione x catena metallo Metal clip for chain Clip en metal pour chain Avangarde - Elegance pz. 100</p>		<p>397 LP.110.1B <i>127 mm</i> LP.111.1B <i>90 mm</i> Catena distanziatrice Connecting ballchain plastic Chainette de reliaje ml. 500</p>
	<p>102 LP.091 <i>cat. 4,5</i> Giunzione x catena metallo Metal clip for chain Clip en metal pour chain pz. 100</p>		<p>272 LP.115.1 <i>White</i> LP.115.1B <i>Black</i> Supporto a scatto per cassetto 42 mm Installation clip bracket for 42 mm headrail Support a clip pour rail pour boitier 42 mm pz. 100</p>
	<p>99 LP.087.1B <i>White</i> Catena orientamento plastica 4,5x12 Operating ballchain plastic 4,5x12 Chain d'orient. plastique 4,5x12 ml. 250</p>		<p>398 LP.115.2 Supporto per cassetto Installation bracket Plaque de fixation du rail Avangarde - Elegance - Classic pz. 100</p>

Vertical Avangarde - Elegance - Classic



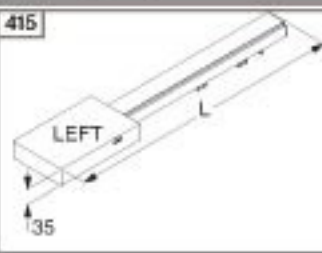
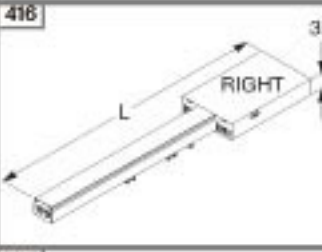
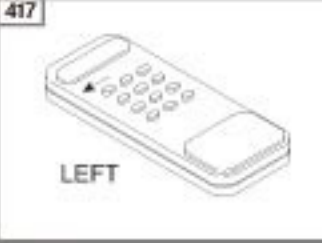
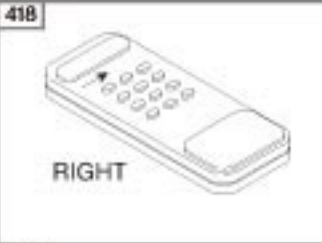

	<p>LP.116.1 LP.116.1B</p> <p>Galvanized White</p> <p>Squadra fissa 12 cm Wall installation 12 cm Equerre fixe de montage 12 cm</p> <p style="text-align: right;">pz. 50</p>		<p>LP.616 LP.616.B</p> <p>Galvanized White</p> <p>Squadra fissa 10 cm Wall installation 10 cm Equerre fixe de montage 10 cm</p> <p style="text-align: right;">pz. 50</p>
	<p>LP.117.1 LP.117.1B</p> <p>Galvanized White</p> <p>Prolunga 12/15 cm Extension 12/15 cm Rallonge 12/15 cm</p> <p style="text-align: right;">pz. 50</p>		<p>LP.618 LP.618.B</p> <p>Galvanized White</p> <p>Squadra estensibile CLS 8/12 cm Extendible wall bracket CLS 8/12 cm Equerre extensible CLS 8/12 cm</p> <p style="text-align: right;">pz. 500</p>
	<p>DK.270.000 DK.270.005</p> <p>Galvanized White</p> <p>Squadra di montaggio fissa zincata 6x12 cm Steel fixed bracket 6x12 cm Equerre fixe de montage 6x12 cm</p> <p>Filettata</p> <p style="text-align: right;">pz. 50</p>		<p>LP.120</p> <p>Nastro saldante Welding strip Ruban de soudure</p> <p>Avangarde - Elegance - Classic</p> <p style="text-align: right;">pz. 1</p>
	<p>DK.275.000 DK.275.005</p> <p>Galvanized White</p> <p>Prolunga regolabile zincata min.14 max.22 cm per DK.270.000 Steel extension min.14 max.22 cm for DK.270.000 Rallonge filete 12/15 cm</p> <p>Filettata</p> <p style="text-align: right;">pz. 50</p>		<p>LP.121</p> <p>Alberino allineamento carrelli Tilt rod to align carriers Tige pour aligner chariots</p> <p>Avangarde - Elegance - Classic</p> <p style="text-align: right;">pz. 1</p>
	<p>LP.116.127 LP.116.127B</p> <p>Galvanized White</p> <p>Squadra fissa a parete con vite Wall installation with screw Equerre fixe de montage avec vis</p> <p style="text-align: right;">pz. 50</p>		<p>LP.122</p> <p>Dima per foratura cassonetto Template to hole headrail Masque pour trouser le caisson</p> <p>Avangarde - Elegance - Classic</p> <p style="text-align: right;">pz. 1</p>
	<p>LP.116.90 LP.116.90B</p> <p>Galvanized White</p> <p>Squadra fissa a parete con vite Wall installation with screw Equerre fixe de montage avec vis</p> <p style="text-align: right;">pz. 50</p>		<p>LP.123.1</p> <p>Pinza per seeger Plier for seeger Pince pour seeger</p> <p>Avangarde - Elegance - Classic</p> <p style="text-align: right;">pz. 1</p>
	<p>LP.118.B</p> <p>White</p> <p>Squadra estensibile da 11/16 cm Extendible wall bracket 11/16 cm Equerre extensible 11/16 cm</p> <p>Avangarde - Elegance - Classic</p> <p style="text-align: right;">pz. 50</p>		<p>LP.123.2 LP.092 X=ø3,2 LP.123.3 LP.093 X=ø4,5</p> <p>Pinza per catena met. Plier for metal chain Pinces pour chain met.</p> <p>Avangarde - Elegance - Classic</p> <p style="text-align: right;">pz. 1</p>
	<p>LP.119.B</p> <p>White</p> <p>Squadra estensibile da 16/24 cm Extendible wall bracket 16/24 cm Equerre extensible 16/24 cm</p> <p>Avangarde - Elegance - Classic</p> <p style="text-align: right;">pz. 50</p>		<p>LP.125</p> <p>Bomboletta di silicone Silicone spray Spray de silicone</p> <p>Avangarde - Elegance - Classic</p> <p style="text-align: right;">pz. 1</p>

Vertical

Vertical



Vertical Motorizzate - Motor light












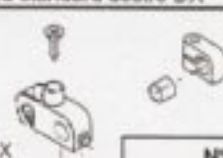


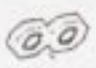







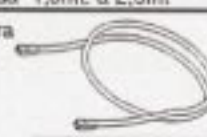





	LP.900.xxxSX Tenda verticale motorizzata sx Left motorized vertical blind Lunghezza L a richiesta / L length on request	pz. 1
	LP.900.xxxDX Tenda verticale motorizzata dx Right motorized vertical blind Lunghezza L a richiesta / L length on request	pz. 1
	LP.970.SX Telecomando a raggi infrarossi sx Remote control infrared left	pz. 1
	LP.970.DX Telecomando a raggi infrarossi dx Remote control infrared right	pz. 1
	LP.965.220 Trasformatore 220V cavo da 5mt Main power 220V 5mt cable	pz. 1

Vertical

Vertical

Vertical Motorizzate - Motor light



 LP.960.0DX Scatola motori per tenda standard DX	 LP.960.0SX Scatola motori per tenda standard gX	 LP.960.DX Alberino blu a vite destro DX
 LP.960.SX Alberino rosso a vite sinistro SX	 LP.961 Kit per apertura centrale	 LP.965.220 Trasform. 220 V. (Cavo 3 mt) Trasform. 220 V. (Cavo 5 mt)
 LP.970.DX Telecomando a raggi infrarossi		 LP.985 Cavo per pulsantiera
 LP.974.DX Carrello blu standard destro DX	 LP.974.SX Carrello rosso standard sinistro SX	 LP.975.DX Carrello di traino per ap. centrale destro DX
 LP.975.SX Carrello di traino per ap. centrale sinistro SX	 LP.980.DX Fondale per tende destro DX	 LP.980.SX Fondale per tende SX
 LP.981 Giunzione per carrelli	 LP.982 Molla d'ammortizzazione	 LP.983 Gancio per calamita
 LP.989 Anello d'arresto 6 mm	 LP.984 Anello d'arresto 7 mm	 LP.983.1 Calamita per tende da 1,5mt. a 2,8mt
 LP.983.2 Calamita per tende da 2,8mt. a 4mt	 LP.983.3 Calamita per tende da 4mt. a 6mt	 LP.985.X Cavo per pulsantiera
 LP.985.100 Pinza per cavo elettrico/spinette	 LP.985.110 Spina per pulsantiera	 LP.985.115 Giunzione per tre cavi
	 LP.987 Centralina per telecomando	 LP.985.200 Maschera di foratura

LA SOLUZIONE
GIUSTA PER LE
VOSTRE TENDE

Window covering systems

YOUR
SOLUTION
FOR BLINDS

